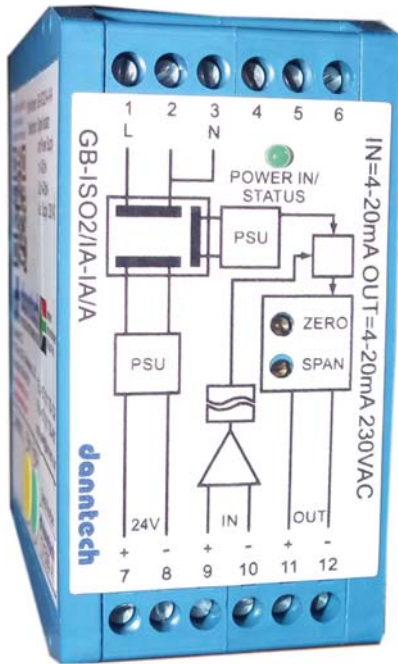


# PROCESS SIGNAL ISOLATOR AND POWER SUPPLY



- **Designed to provide a convenient way of powering and isolating process signal inputs.**
- **Convert and isolate three or four wire transmitters to isolated two wire signals.**
- **Protect the input cards of PLCs while at the same time providing power to the loop providing a high level of system security by isolating and powering each input separately.**
- **In contrast to single power supply systems, should one transmitter short the 24 VDC supply, only one measurement is lost and not all of those powered from a common 24 VDC supply.**

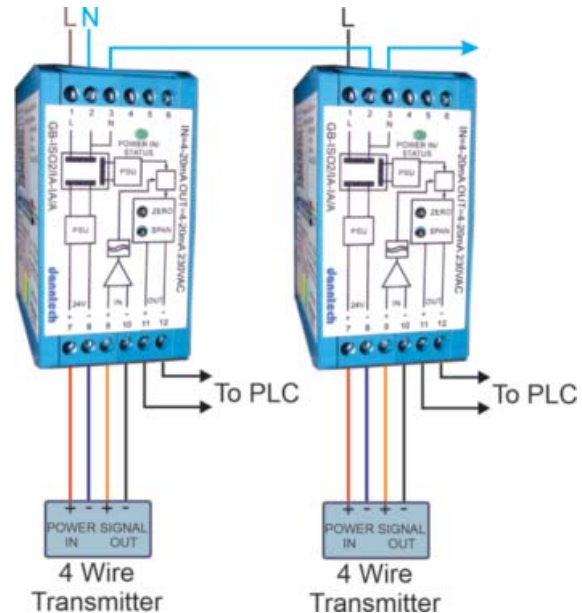
## APPLICATIONS:

Elimination of the effects of ground loops from distributed process signals.

The protection of signals against common mode interferences such as motors, contactors and power line surges.

Process signal amplification in situations where the line impedance is too great to effectively drive the required instrumentation.

Individual channel isolation and the elimination of common mode offsets.



## SPECIFICATIONS:

- Input signal ranges:
  - Current (DC):** 4-20 mA, 0-20 mA.
  - Voltage (DC):** 0-100 mV, 0-1 V, 0-10 V, 0-100 V and  $\pm 10$  V.
- Output signal ranges:
  - Current (DC):** 4-20 mA, 0-20 mA.
  - Voltage (DC):** 0-100 mV, 0-5 V, 0-10 V,  $\pm 10$  V.
- Output load 500  $\Omega$  maximum.
- Multi-turn trimpot adjustment for zero and span on the front of the unit.
- Output zero and span adjustable  $\pm 10\%$  of the range.
- Frequency response 0.1 Hz.
- Linearity better than 0.5% of full scale.
- Input supply 230 or 115 VAC  $\pm 10\%$ .
- Input power surge and fuse protected.
- Isolation between input, output, 24 VDC transmitter supply  $> 1,500$  VAC.
- Operating temperature  $-10^{\circ}\text{C}$  to  $60^{\circ}\text{C}$ .
- 24 hour operational burn-in.
- DIN rail mounting.
- Screw terminal connections.
- High quality, self-extinguishing polyamide enclosure.
- Dimensions 40 x 80 x 85 mm (W x H x D).
- Approximate weight 150 g.



**Danntech cc**  
 Reg. No. 1986/15338/23  
 Tel: + 27 (0)11 792-1239  
 Fax: + 27 (0)11 792-4687  
 P O Box 1023, Fontainebleau, 2032  
 Republic of South Africa  
[www.danntech.com](http://www.danntech.com)  
[www.danntech.co.za](http://www.danntech.co.za)

**Danntech ltd**  
 Co. No. 6510211  
 Tel: +44 (0) 75 9069 1824  
 4 Bettys Lane, Norton Canes  
 Cannock, Staffordshire,  
 WS11 9NP  
 United Kingdom  
[www.danntech.com](http://www.danntech.com)

