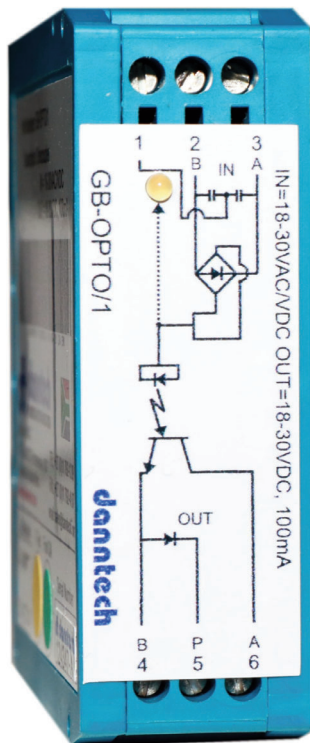
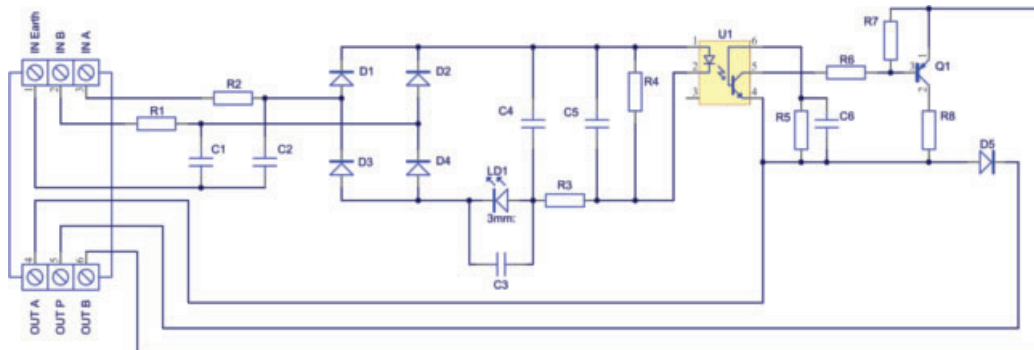


DIGITAL OPTO-COUPLER



- ❑ **Designed to replace the ABB Siemens UX154 in function and form.**
- ❑ **Compact and low cost.**
- ❑ **Optical isolation of more than 2.5 kV AC RMS.**
- ❑ **Input voltage 24 VDC ($\pm 25\%$).**
- ❑ **Output switched transistor at 30 VDC up to 0.6 A.**



APPLICATIONS:

Used to for isolation of digital inputs from cables originating in a high voltage switchyard.

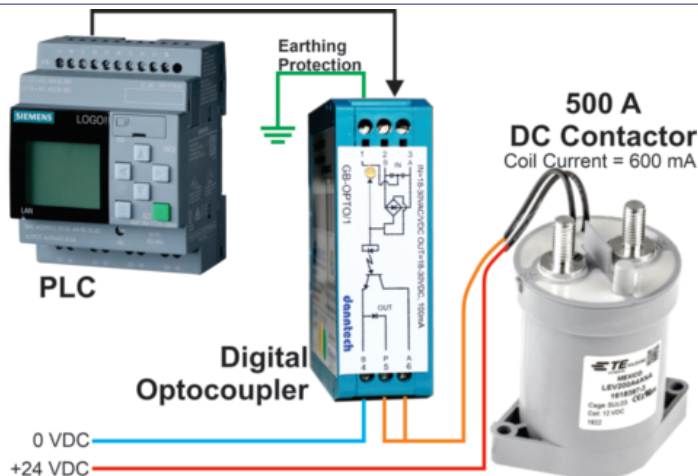
Used in Eskom's Static VAR Compensator 132 kV and 400 kV.

PART NUMBERING:

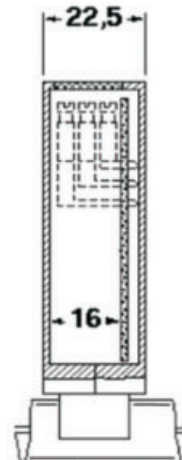
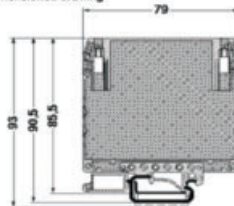
GB-OPTO/1 Optocoupler-1

SPECIFICATIONS:

- ❑ AC or DC digital input, 15 to 30 V.
- ❑ Switch on time 2 mS or less, switch off time 0.6 mS or less.
- ❑ Isolation input to output 2,500 VAC.
- ❑ LED indication of input state.
- ❑ Integral freewheel diode for inductive loads.
- ❑ Spike and surge protected.
- ❑ Operating temperature -10°C to 60°C.
- ❑ 24 hour operational burn-in.
- ❑ DIN rail mounting.
- ❑ Screw terminal connections.
- ❑ Dimensions 20 x 80 x 85 mm (W x H x D).



Dimensioned drawing



| Terminals | Description |
|-----------|-------------|
| 1 | Input Earth |
| 2 | Input B |
| 3 | Input A |
| 4 | Output A |
| 5 | Output P |
| 6 | Output P |



Danntech cc
 Reg. No. 1986/15338/23
 Tel: + 27 (0)11 792-1239
 Fax: + 27 (0)11 792-4687
 P O Box 1023, Fontainebleau, 2032
 Republic of South Africa
www.danntech.co.za
www.danntech.com

Danntech ltd
 Co. No. 6510211
 Tel: +44 (0) 75 9069 1824
 4 Bettys Lane, Norton Canes
 Cannock, Staffordshire, WS11 9NP
 United Kingdom
www.danntech.com

