

Printing Press Controller Interface

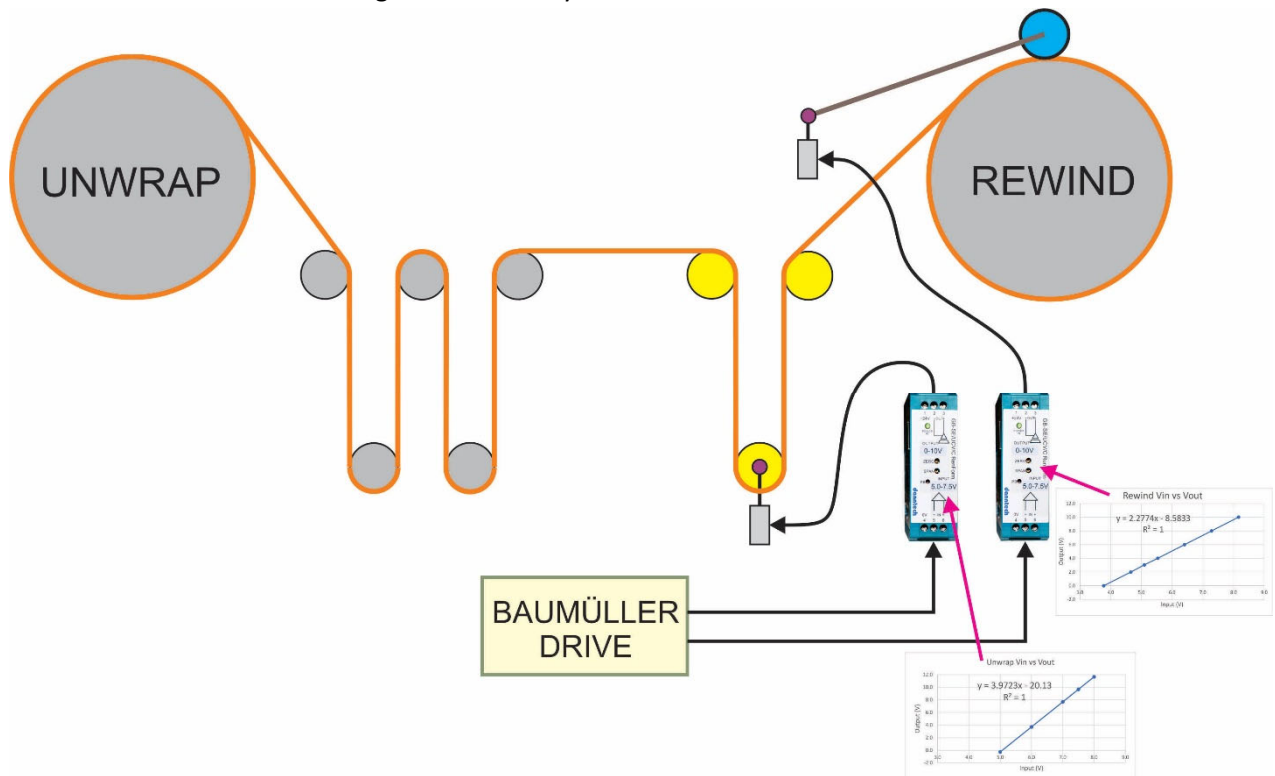
The story of these units begins some years ago and we only recently “closed the loop” and figured out what the original design engineers had done with our User Configurable Version (UCV) Signal Converters.

What we can figure out is that some years back (2013) some guys had purchased two UCV versions of our Eco-Line Signal Converters. Now, not many people are ambitious enough to wish to reconfigure the inputs or outputs. But, these guys had carefully read the User Manual and used the converters to solve a problem they encountered when doing a retrofit to an old printing press.

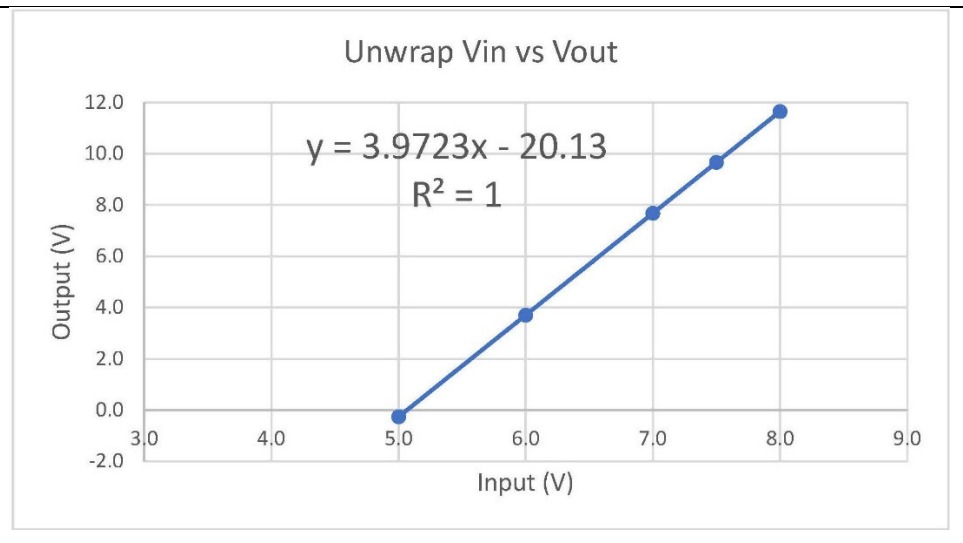
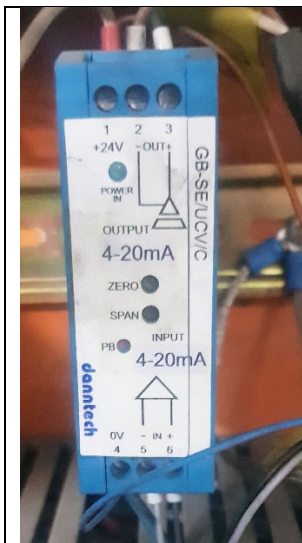
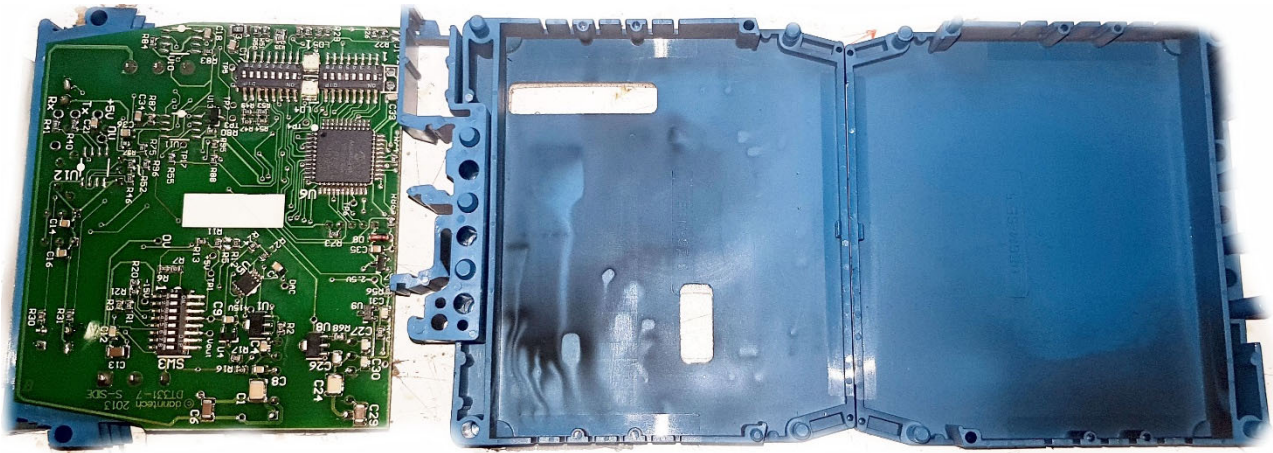


Skipping forward 8 years, earlier this year in 2021, the printing press guys contacted us to purchase a replacement unit which had failed. They sent pictures, but being user

configured, it was not possible to determine the actual settings without having a working unit, or documentation on what the configuration actually was.



When the first one unit failed, and we were able to repair it and then check out the transfer function and then we could make a spare unit. I think we replaced the DC to DC converter which must have been damaged by some supply variation or spike.



The second unit failed about six months later with a similar fault and we repeated the procedure.

