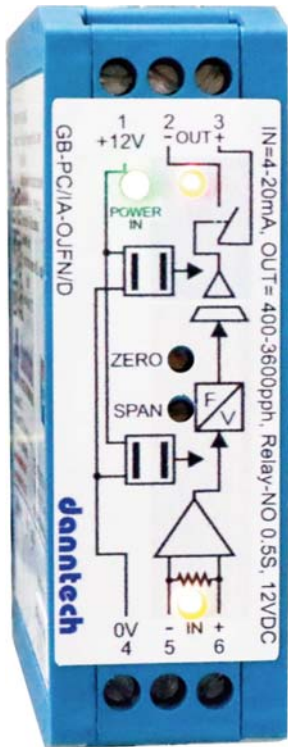


PROCESS SIGNAL TO FREQUENCY/PULSE CONVERTER



Convert a variety of process signals to pulses.

Inputs from mV, V, mA, A AC or DC to pulse or frequency.

Output frequencies anywhere from 0.01 Hz through to 100 kHz. Pulse widths from 0 to 100%.

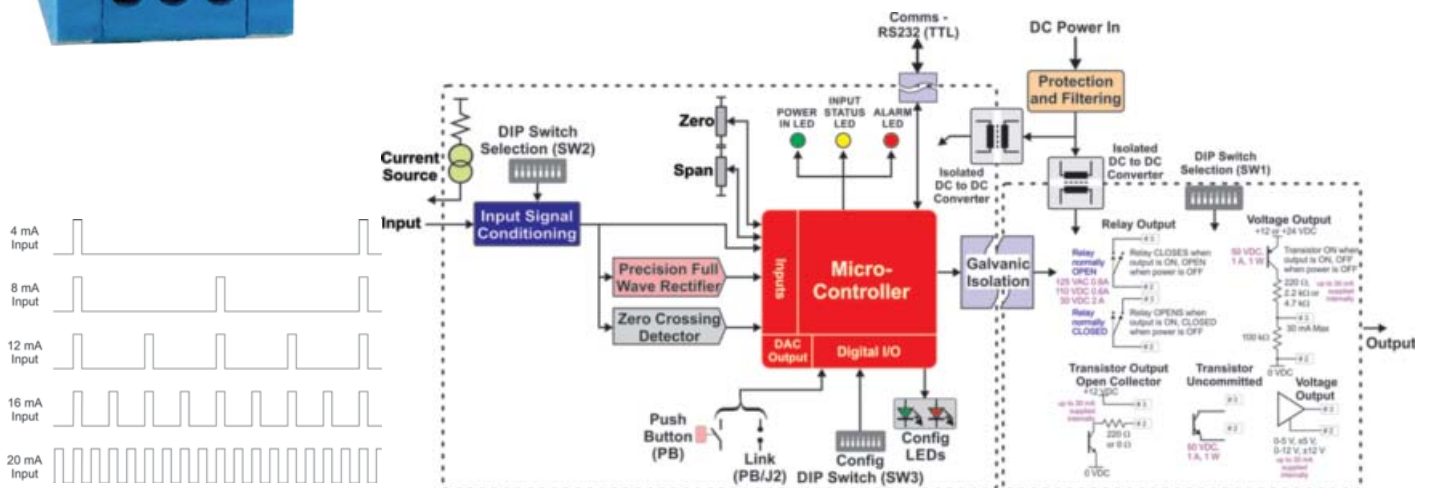
Output types: frequency, pulse width, pulses per second, per minute or per hour for totalizing functions or dosing functions.

Transistor or relay output which can be configured to be either normally open or normally closed.

LED indication of status, input and output.

Customized operation with flexible hardware design.

Various operating modes: Frequency, Pulses per Time, Pulse Width and Frequency Direct.



SPECIFICATIONS:

- Input signal ranges: ± 50 mV, 0-1 V, 0-10 V, 0-100 V, 0-250 V, ± 10 V, ± 100 V, and ± 1 mA, 4-20 mA, 0-20 mA, 0-1 A, 0-5 A, DC or AC. Resistance 0-100 Ω up to 10 k Ω . Frequencies from 0.01 Hz up to 100 kHz.
- Input impedance of >1 M Ω for the voltage input and 50 Ω or less for the current input models.
- Potential free relay contact, transistor or various voltage outputs.
- Relay contact rating 125 VAC/0.6A, 110 VDC/0.6A or 30 VDC up to 2 A resistive load.
- Output frequencies from 0.01 Hz to 100 kHz.
- Customised input and output ranges on request.
- Input supply 24, 12 VDC $\pm 10\%$ or 22 to 30 VDC.
- Isolation between input, output and supply >1000 VDC.
- Selectable filtering options up to 60 seconds.
- Zero and span trimpots can be locked or disabled using a DIP switch.
- Wide or normal zero and span adjustment selection using a DIP switch.
- Step response approximately 1 ms with filter off.
- Linearity better than 0.5% of full scale.
- Operating temperature -10°C to 70°C .
- DIN rail mounting with dimensions 25 x 80 x 85 mm (W x H x D).



dt danntech
PROCESS INSTRUMENTATION

Danntech cc
Reg. No. CK1986/15338/23
Tel: +27 (0)11 792-1239
Fax: +27 (0)11 792-4687
P O Box 1023, Fontainebleau, 2032
Republic of South Africa
www.danntech.co.za
www.danntech.com

Danntech Ltd
Co. No. 6510211
Tel: +44 (0) 75 9069 1824
4 Bettys Lane, Norton Canes, Cannock
WS11 9NP, United Kingdom
www.uk.danntech.com