

PROCESS SIGNAL TO PULSE WIDTH CONVERTER



Isolated pulse width proportional control for DC motors, hydraulic valves, Peltier elements.

Customized applications are possible, adaptation of the firmware.

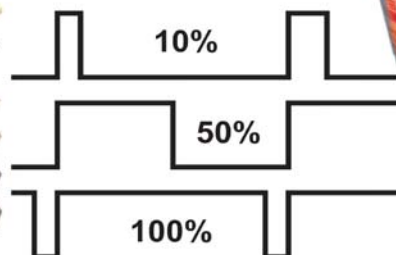
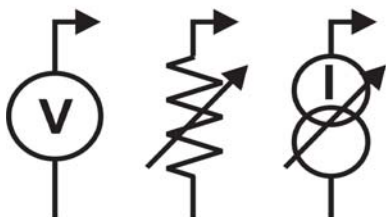
Two current ranges offered - 1 A and 5 A, 12 and 24 VDC versions.

Standard voltage, resistance and current inputs.

Galvanic isolation between input and output - 1 kV.

Fuse protection for load with LED indication.

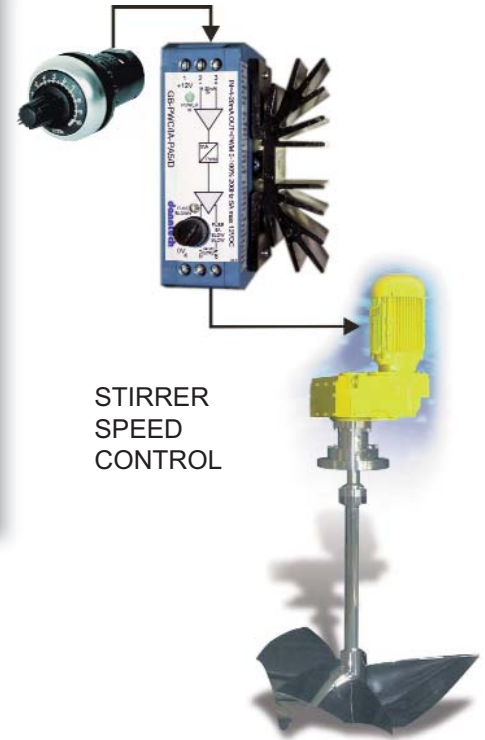
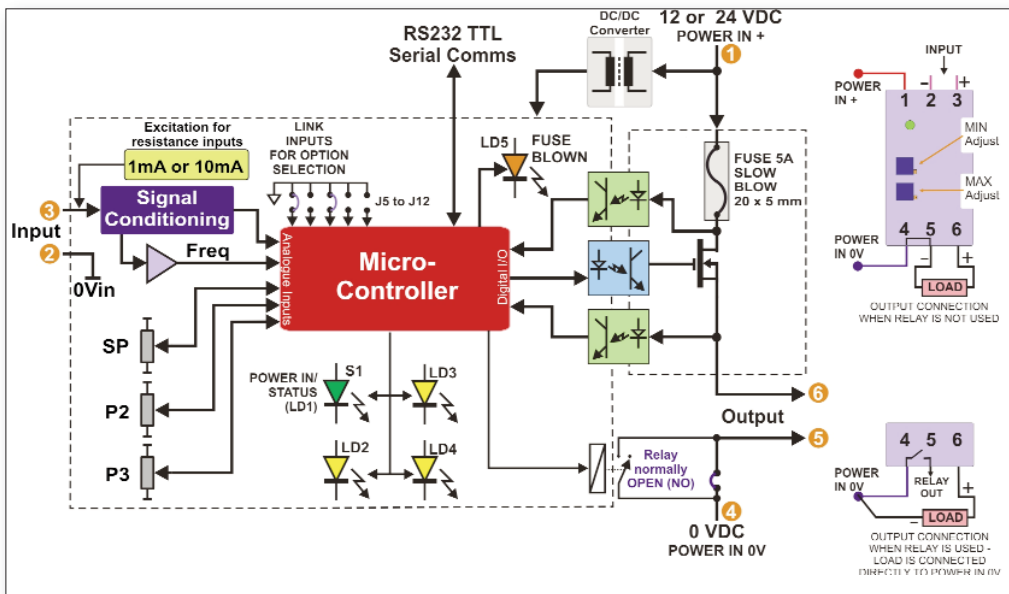
Internal adjustment of minimum and maximum output.



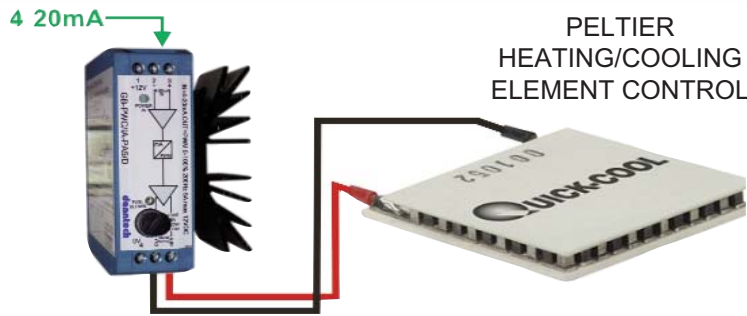
danntech
PROCESS INSTRUMENTATION

Danntech cc
Reg. No. 1986/15338/23
Tel: + 27 (0) 11 792 1239
Fax: + 27 (0) 11 792 4687
P O Box 1023, Fontainebleau, 2032
Republic of South Africa
www.danntech.com

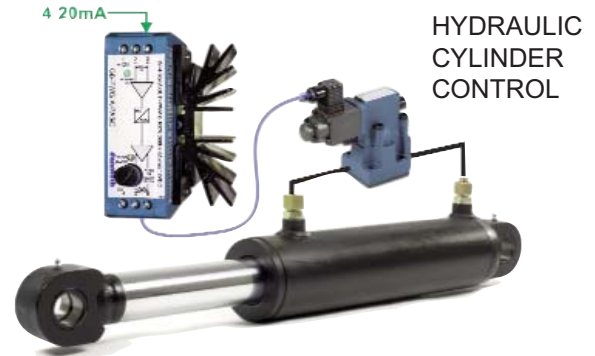
Danntech ltd
Co. No. 6510211
Tel: +44 (0) 75 9069 1824
15 College Close, Hamble-le-Rice
Southampton, Hampshire, SO31 4QU
United Kingdom
www.danntech.info



STIRRER SPEED CONTROL



PELTIER HEATING/COOLING ELEMENT CONTROL



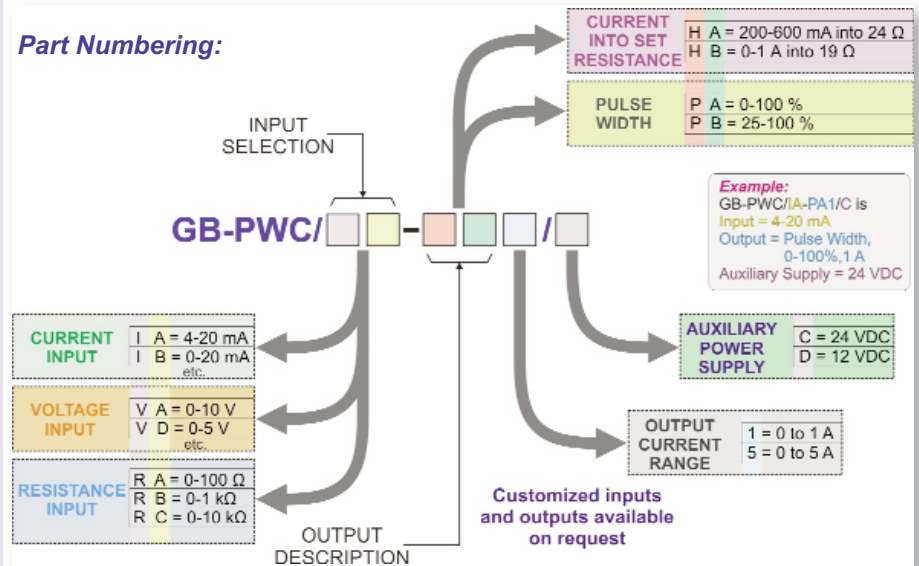
HYDRAULIC CYLINDER CONTROL

Specifications:

- Inputs:
 - Current - 0 to 20 mA, 4 to 20 mA or from 1 mA up to 500 mA DC.
 - Voltage - 0 to 10 V, ±10V or anything from 100 mV up to 100 VDC.
- Pulse width output from 0 to 100% at 200 Hz.
- Output current up to 10 A peak with 5 A continuous. Maximum output current only limited by slow blow fuse. Standard 1 A and 5 A versions.
- Internal trimpot adjustment of output minimum and maximum.
- Power On LED and blown fuse LED indication.
- Step response less than 50 ms.
- Linearity better than 0.5% of full scale.
- Isolation between input and output >1000 VDC, output is not isolated from Power In.
- Input supply 24 VDC or 12 VDC ±10%.
- Power supply current 10 mA plus output current.
- Operating temperature -10°C to 60°C.
- DIN rail mounting.
- Screw terminal connections for wire 2.5 mm².
- Dimensions 25 x 80 x 85 mm (W x H x D) - 1 A, 50 mm wide for 5 A version with heatsink.
- CE certified.

Customizable Options: The additional trimpots and LEDs can be made accessible via the front panel. We can modify or rewrite the embedded firmware to suit your particular application. Contact us with your requirements.

Part Numbering:



Danntech cc
Reg. No. 1986/15338/23
Tel: +27 (0) 11 792 1239
Fax: +27 (0) 11 792 4687
P O Box 1023, Fontainebleau, 2032
Republic of South Africa
www.danntech.com

Danntech Ltd
Co. No. 6510211
Tel: +44 (0) 75 9069 1824
15 College Close, Hamble-le-Rice
Southampton, Hampshire, SO31 4QU
United Kingdom
www.danntech.info